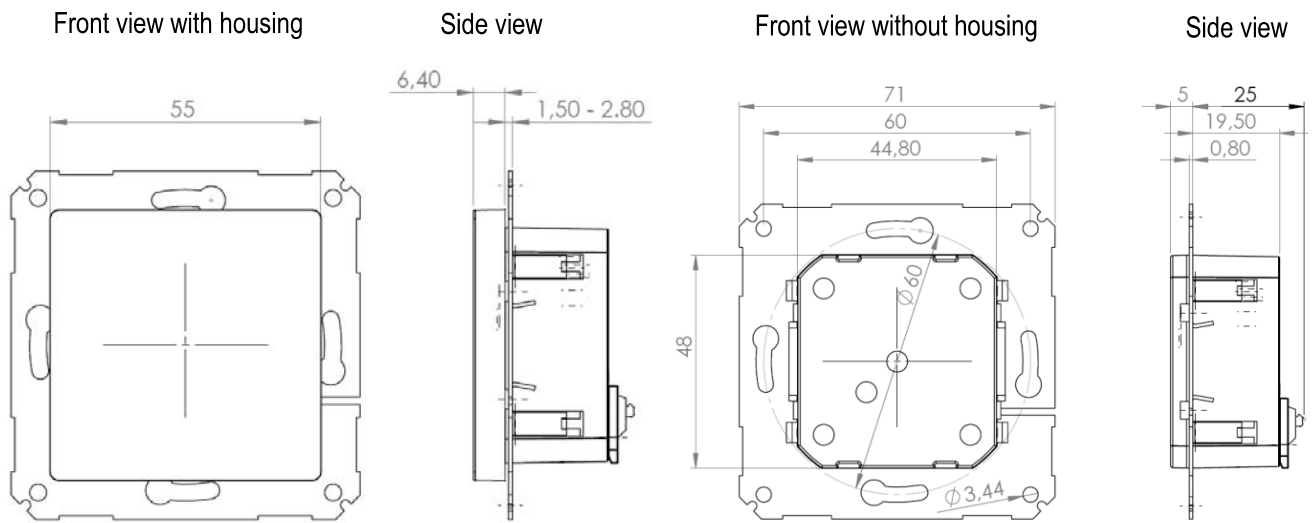


OS SUPPORT	Windows XP, Vista, Embedded CE ⁸⁾ , 7 (32-/64-bit), 8, 8.1, 10, Linux, Android ⁸⁾ , iOS ⁸⁾ , MAC OS X ⁸⁾	
TRANSMISSION SPEED	RS-485: up to 38.400 baud; RS-232 up to 115.200 baud; USB Full speed (12 Mbit/s); HF Air: up to 848 kbit/s, BT Air: up to 100 kbit/s	
EXTENSION SLOT	One SAM socket for ID-000 cards or modules	
CERTIFICATION NAME	TWN4 Palon Compact LEGIC	
CERTIFICATION(S)	CE, RoHS-II compliant	
ORDER CODE(S)	<p>Box Kit: TWN4 Palon Compact LEGIC Wall reader in transparent housing, rear protection lid, white standard frame, white front lid, white inlay standard inlay, installation instruction, mounting screws, cardboard box</p> <p>T4WK-B01EU7 TWN4 Palon Compact, LEGIC Wall Kit, as described T4WK-B01EU7-P same, P Option</p> <p>*Individual kits available on request</p>	
ACCESSORIES	MECH-DFW21	Palon Wall design frame white
	MECH-DFW22	Palon Wall design frame anthracite
	MECH-DFW23	Palon Wall design frame silver
	HOWL-YC1TR	Palon Wall transparent housing
	HOWL-RL1TR	Palon Wall rear lid
	MECH-MRW1EU	Palon Wall EU mounting ring
	HOWL-FL1BL	Palon Wall front lid black
	HOWL-FL1WH	Palon Wall front lid white
	CAB-B9	USB A / USB Micro Cable

¹⁾ UID only ²⁾ r/w enhanced security features on request ³⁾ r/w in direct chip command mode ⁴⁾ UID only, read/write on request ⁵⁾ UID + r/w public area ⁶⁾ Hash value only
⁷⁾ Only emulation of 4100, 4102 ⁸⁾ On request ⁹⁾ Without encryption ¹⁰⁾ UID + PAC (CSN & Facility Code), r/w on request ¹¹⁾ In preparation
¹²⁾ 125/134,2kHz technology requires a Russian local test and import license from the ministry of Trade and Industry (MINPROMTORC).
This license has to be in place before Elatec can accept any order to be shipped to Russia

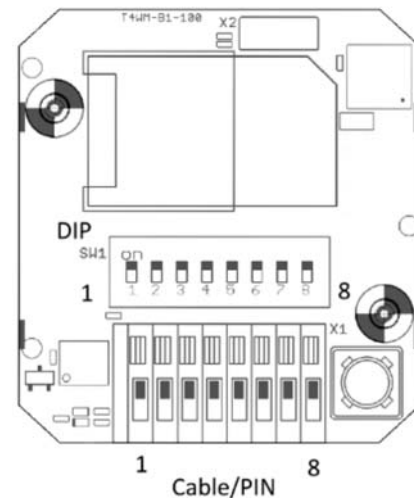
DRAWING / CONNECTOR ASSIGNMENT

(All measures in mm)



DIP	ASSIGNMENT
1	RS-485 address 0 LSB
2	RS-485 address 1
3	RS-485 address 2
4	RS-485 address 3 MSB
5	RS-485 BIAS on/off
6	RS-485 speed 0
7	RS-485 speed 1
8	RS-485 termination 120 Ohm on/off

PIN	ASSIGNMENT
1	RS-232 RX
2	RS-232 TX
3	RS-485 A
4	RS-485 B
5	TTL Wiegand D0 or DATA
6	TTL Wiegand D1 or CLOCK
7	VIN 9 – 30 Volt
8	GND



Drawing / rear view PCB

Firmware may change the assignment of the DIP switch. Please refer to the TWN4 Palon manual. For RS-232, Wiegand, Clock/Data the DIP switch is not used.