

# Eco

Eco small-size tripod turnstile ideally fits to provide access control at small lodges of enterprises, offices, banks, public transport compartments, where small size, design reliability and efficiency are equally important. The turnstile is intended to be used as a part of access control systems for organizing people's entrance to the supervised territory. The main advantages of this turnstile are small size and affordable price.



## **Tripod turnstile**

type of turnstile, where the obstruction is a tripod bar



## **Compact**

small dimensions of the turnstile allow to set into any desired location

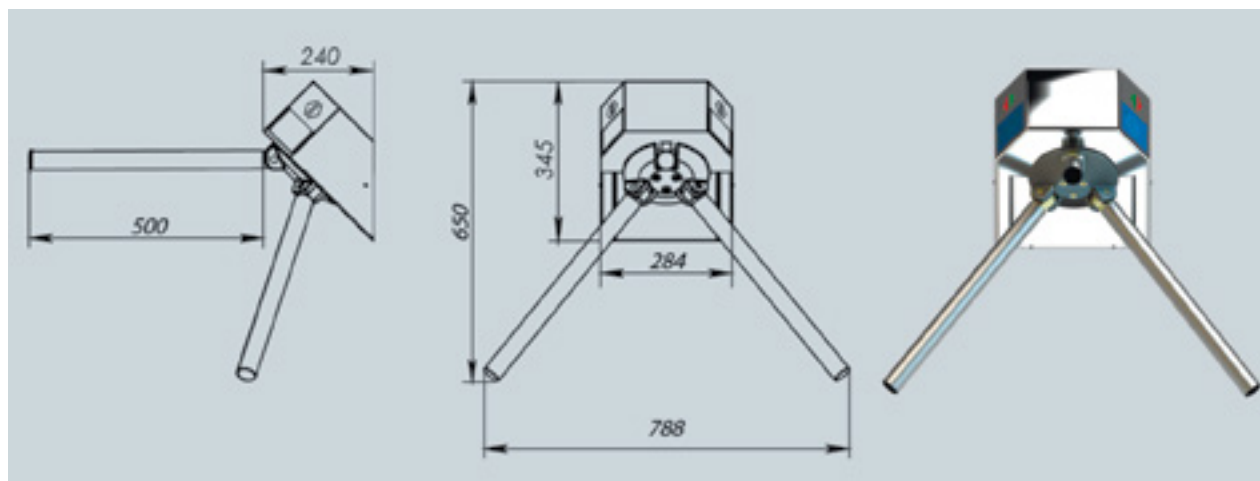


## **Anti-panic**

feature that allows opening or locking the turnstile for passage in case of emergency

## Features:

- Antipanic function allows opening a passageway in case of emergency.
- Wall-mounted.



## Design versions:

Casing:	polished stainless steel
	brushed stainless steel
	painted steel
Tripod bars:	aluminum
	polished stainless steel
Gear:	electric drive
	rotating-locking

## Overall dimensions: (mm):

Case height	345
Case length	284
Case width	240
Tripod bars	500
Passage width	550-600
Weight	13kg

## Specifications:

Supply voltage	24 ± 3 V
Power consumption	30 W
Capacity	at least 20 persons/min
Working temperatures	0...+45°C
Dust and Water Protection Rating	IP 42