

FULL-HEIGHT TURNSTILE SESAME

The Full Height Sesame turnstile is one of our most popular models. It is a secure and proven solution for pedestrian access control. Available in 90* and 120* rotor options, Sesame is renowned as being world class in this difficult area. Typically Sesame can offer up to 20,000,000 operations, making it the most reliable, robust and vandal resistant turnstile available today. An exceptional range of material design and color options is available, along with versions for dual mounting. Sesame represents the pinnacle of full height turnstile control.



THE MOST RELIABLE MECHANISM IN THE WORLD - 20 000 000 PASSES WARRANTY!



CROSSING CAPACITY



PASSAGE WIDTH



PROTECTIVE LEVEL



BI-DIRECTIONAL

Advantages

- Superb quality and operation at an affordable price
- Stable and Robust housing suitable for high traffic areas
- Can be integrated with any type of access control system
- Single or Bi Directional
- Single and Twin versions
- 90 degree and 120 degree rotor options
- LED Indicators
- Airlock Function
- Low power consumption
- Whisper quiet, low noise operation
- Turnstile housing can be adapted for both indoor and outdoor installations
- Can be mounted on the CartPoland Frame M mobile platform
- Special housing design for installation by crane is available
- Backup battery availability 12 V, 17 A-h.

Sesame modifications

- Sesame X-type (90°)
- Sesame Y-type (120°)
- Single-welded Sesame
- Sesame Twin

* first figure is standard, all other available upon request.

Standard

- 2 types of LED indication
- Hard wired remote control

Options

- Integration with passes counter/RFID device/coin acceptor push button/fingerprint/barcode/QR-code reader etc.)
- Servo-drive (Motorized) mechanism
- Remote radio controller
- Heating function for external installation (for cold climates)
- Automatic opening entrance, exit or both direction when power goes off
- Airlock function
- Protective canopy or roof



CartPoland, Maciej Twardowski
Wólka Mińska ul. Olszowa 5,
05 - 300 Mińsk Mazowiecki

maciej@cartpoland.pl, Tel.: +48 606 773 276
inka@cartpoland.pl, Tel.: +48 795 15 83 20
www.cartpoland.pl | bramkiobrotowe.eu

Technical Specifications:

Width, mm	1428
Length, mm	1168
Height, mm	2297
Weight, kg (not more)	168
Standard mechanism	Electro-mechanical
Available mechanism	Servo-drive (Motorized)

Controlled by:



access control system;

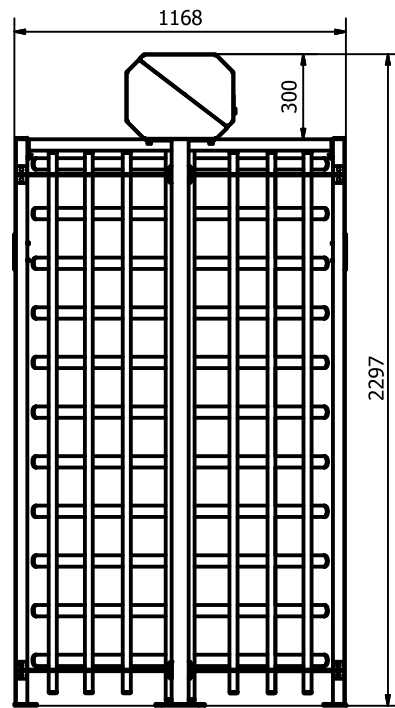
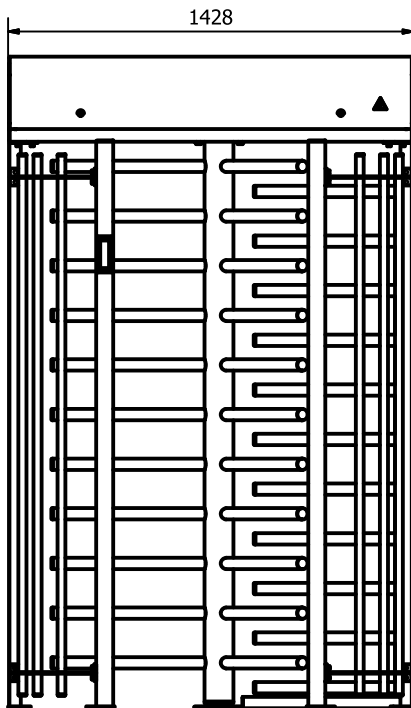


manual control

When power goes OFF both directions are free.

Electrical Specifications:

- Voltage:
 - from the AC (100-240)V, 50/60Hz;
 - from a DC source 12 V;
- Maximum power consumption 155W per pass

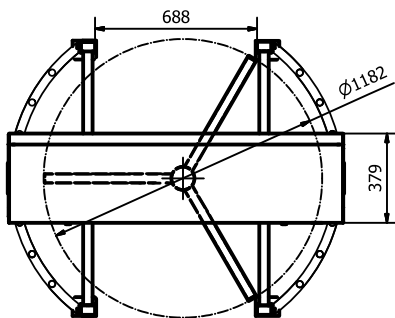


Materials

Standard housing	Brushed SS AISI 304
Available housing	Brushed SS AISI 316 Polished SS AISI 304 Polished SS AISI 316 Powder coated RAL

Installation areas:

- Governmental Institutions
- Military Bases
- Nuclear Power Plants
- Production sites (Industrial Plants)
- Commercial areas
- Financial institutions
- Airport Premises
- Business (Office) Centers
- Hotels
- Sport Complexes
- Recreation areas
- Urban areas
- Education Institutions
- others





CartPoland, Maciej Twardowski
Wólka Mińska ul. Olszowa 5,
05 - 300 Mińsk Mazowiecki

maciej@cartpoland.pl, Tel.: +48 606 773 276
inka@cartpoland.pl, Tel.: +48 795 15 83 20
www.cartpoland.pl | bramkiobrotowe.eu