

# ROTOR TURNSTILE STAR-WS

The turnstile «Star-WS» has a stylish enabling to use it for access control even at «VIP-access points» of banks, class A business-centers and others facilities, where interior decoration is important.

Different modifications of this turnstile are available for the customer: a wide range of alternatives of glass tinting, different ways of metal elements treatment, all possible alternatives of timbler parts (wood species, texture, colour).

It allows to design the «Star-WS» according to your interior.



60  
pers/min



20  
pers/min



580  
mm

ALL CUSTOMERS WISHES CAN BE REALIZED IN THIS TURNSTILE FROM  
GILDING METAL PARTS, TO EMBLEMS INSTALLATION ON A TURNSTILE'S ROTOR

#### Controlled by:

- access control system;
- manual control

When power goes OFF both directions are free.

#### To be delivered additionally:

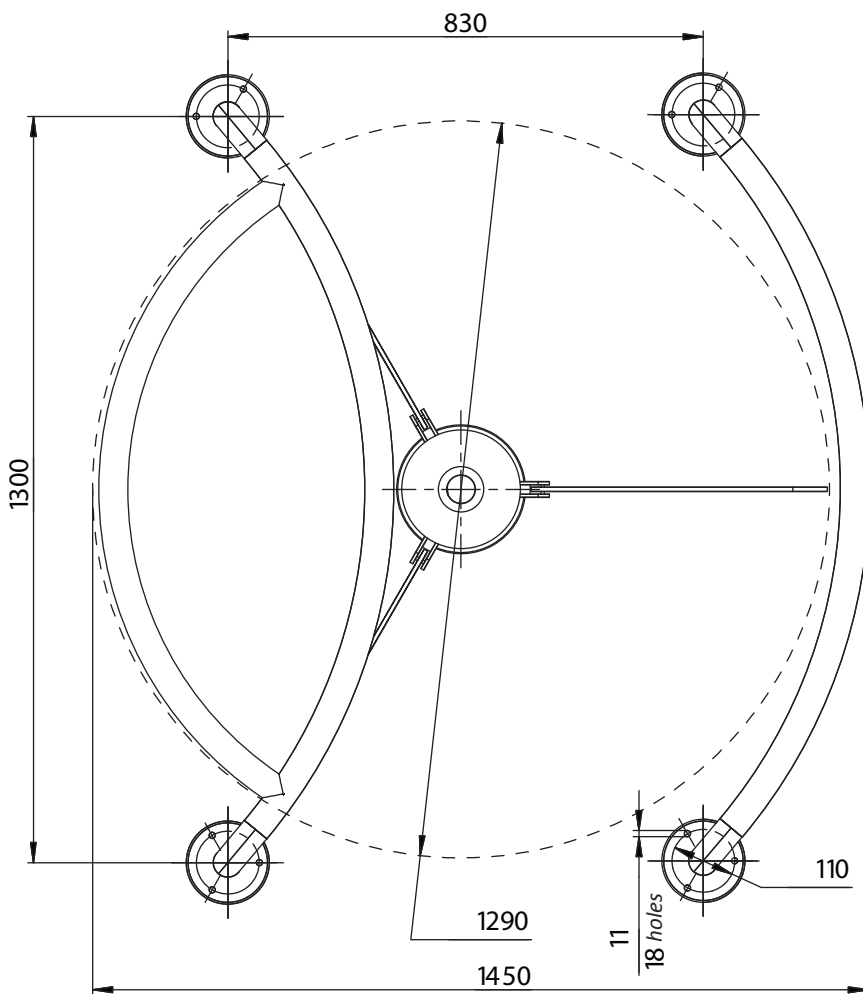
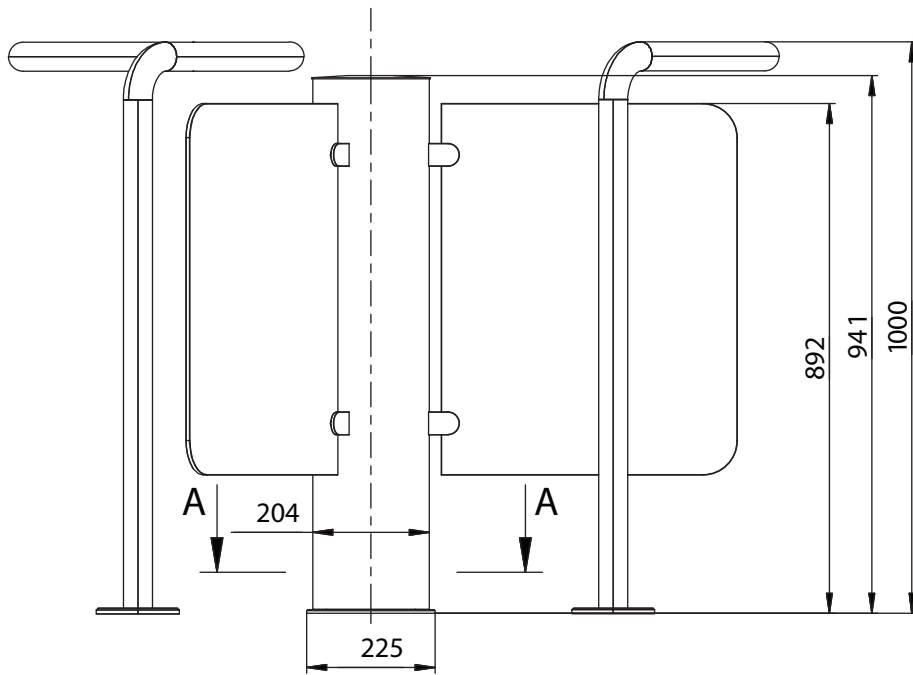
- reader posts;
- readers for access control system;
- remote radio controller;
- backup battery 12 V, 7 A•h

#### Electrical Specifications:

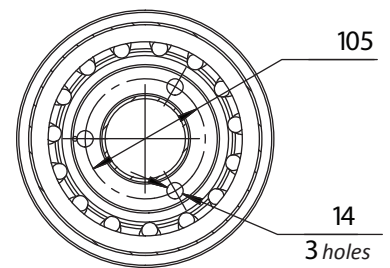
- Voltage:
  - from the AC (100-240)V, 50/60Hz;
  - from a DC source 12 V
- Maximum power consumption 50 W per pass;
- Degree of protection according to GOST 14254-96 - IP41

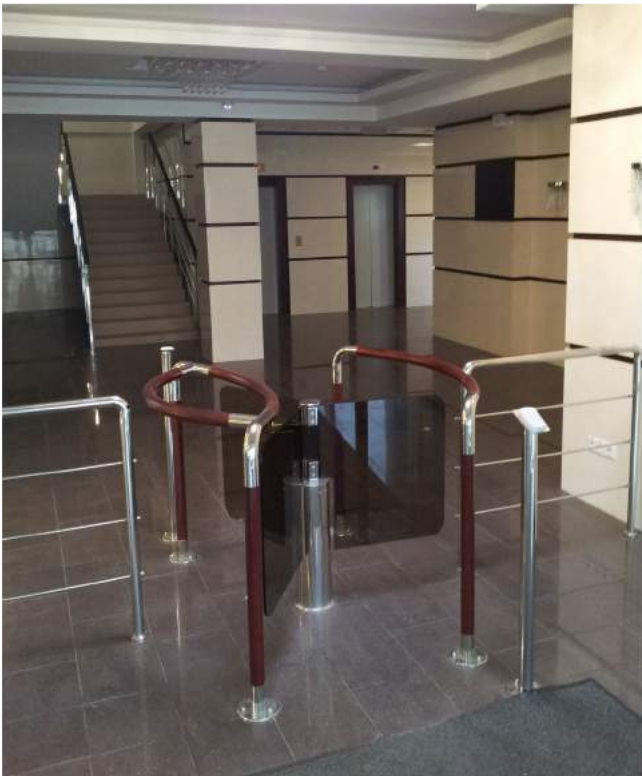
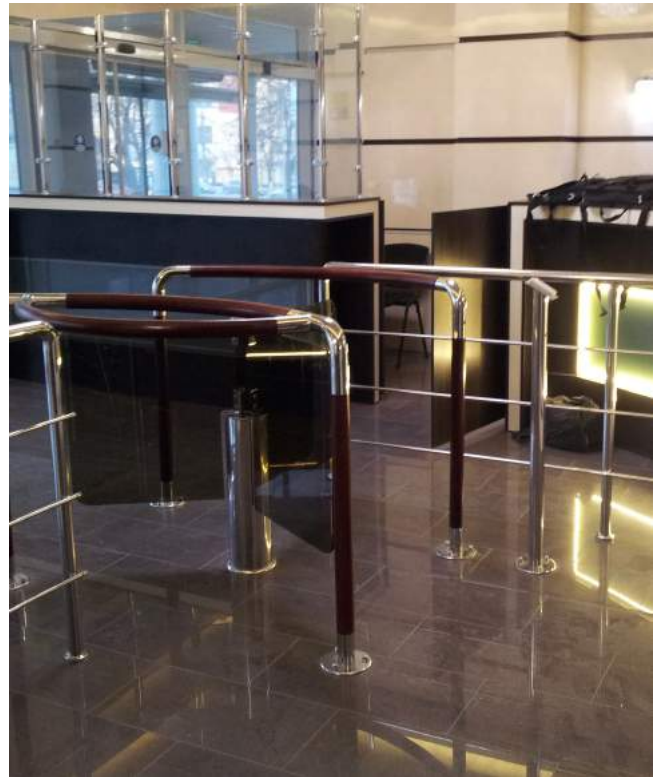
#### Technical Specifications:

Length	1450mm
Width	1300 mm
Height	1000 mm
Weight, not more	90 kg



A-A (1:5)





CartPoland, Maciej Twardowski  
Wólka Mińska ul. Olszowa 5,  
05 - 300 Mińsk Mazowiecki

maciej@cartpoland.pl, Tel.: +48 606 773 276  
inka@cartpoland.pl, Tel.: +48 795 15 83 20  
www.cartpoland.pl | bramkiobrotowe.eu