

FIXED/REMOVABLE BOLLARD RB343-68

ASTM F2656/F2656M-15, M50, P2 (3.8m)
IWA 14-1, Blocker V/7200[N2B]/80/90:4.1

Crash-tested
according to



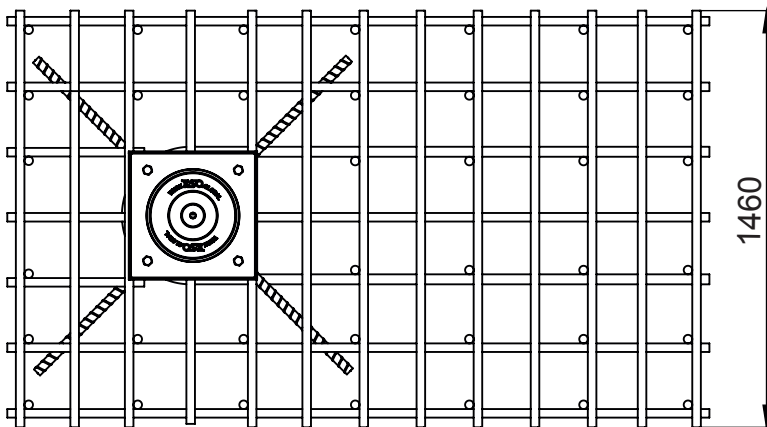
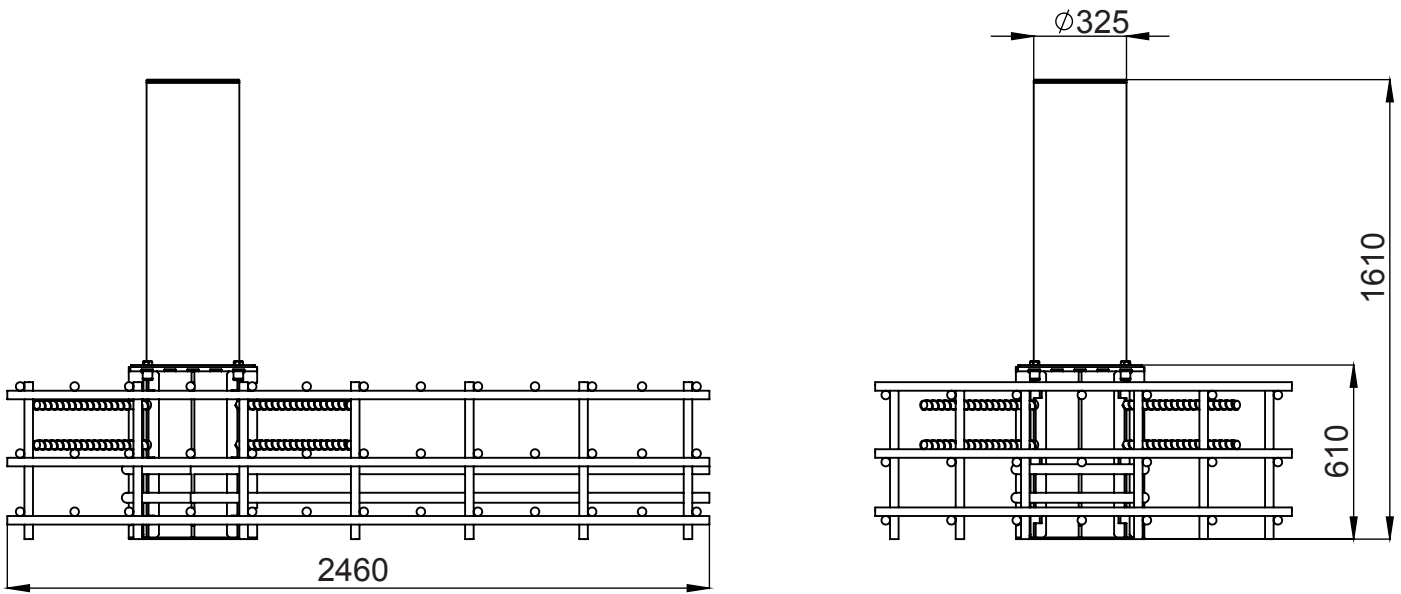
*RELIABLE, PRACTICAL AND COST-EFFECTIVE SOLUTION TO
PROVIDE 100% SECURITY OF YOUR TERRITORY*

High secur fixed/removable bollards are designed to prevent an unauthorized access of vehicles to secured perimeter and provide the highest level of anti-terror protection. RB343 bollard was successfully certified according to ASTM F2656/F2656M-15, M50, P2 (3.8m) and IWA 14-1, Blocker V/7200[N2B]/80/90:4.1

That is reliable, durable, functional bollard to resist the impact. All of these factors put together, make this bollard a universal and effective vehicle access control solution.

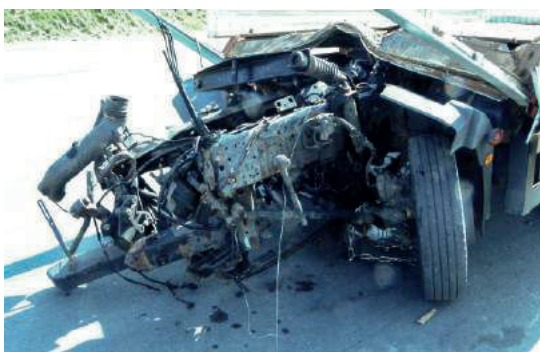
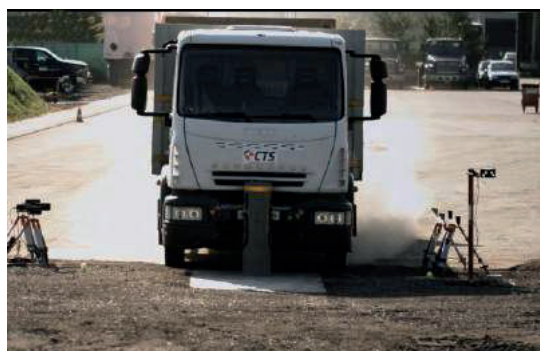
Installation areas

- Governmental Institutions
- Military Bases
- Nuclear Power Plants
- Production sites (Industrial Plants)
- Commercial areas
- Financial institutions
- Airport Premises
- Business (Office) Center
- Hotels
- Sport Complexes
- Recreation areas
- Urban areas
- Education Institutions



TECHNICAL SPECS:

Model	RB343-68
Diameter, mm	325
Height, mm	1000
Wall thickness, mm	30
Installation depth (with foundation case), mm	600
Dimensions of underground structure, mm	2460x1460x600
Axel load (when bollard is removed), t	15
Materials	Galvanized and powder coated tube (any RAL up on request) Stainless steel sleeve / casing up on request



Contracting Client:
TISO PRODUCTION, LTD.
72, Yamska str.
03150 Kyiv
Ukraine

Certificate of passed Barrier Testing Programme



Type of Product:	Fixed Bollard „RB343-68-GH-15-0.1/0.1-032/100-140“
Test Standard:	ASTM F2656/F2656M-15 IWA 14-1:2013
Test Standard Classification:	ASTM: C750 IWA: N2B-80km/h
Test Date:	September 21, 2017
Vehicle Restrained:	yes
Vehicle Immobilized:	yes
Test Vehicle Kinetic Energy at Impact:	1841 kJ
Penetration Rating ASTM:	P2 (3.8 m)
Performance Rating IWA:	Bollard V/7200[N2B]/80/90:4.1
Underlying CTS-Test Report No.:	11523_3024_18815

Sincerely,

crashtest-service.com®
Amelunxenstraße 30, 48167 Münster, Germany
 Tel: +49 52 94 93 20 / 70 90 010
 Fax: +49 52 94 93 20 / 70 90 099
 Email: info@crashtest-service.com
 www.crashtest-service.com
 Dipl.-Ing. Peter Schimml
 (Managing Partner)

October 6, 2017

Amelunxenstraße 30, 48167 Münster, Germany

www.crashtest-service.com



CartPoland, Maciej Twardowski
Wólka Mińska ul. Olszowa 5,
05 - 300 Mińsk Mazowiecki

maciej@cartpoland.pl, Tel.: +48 606 773 276
inka@cartpoland.pl, Tel.: +48 795 15 83 20
www.cartpoland.pl | bramkiobrotowe.eu