

SEMI-AUTOMATIC PARKING BOLLARDS RB343 on the gas spring



*RELIABLE, PRACTICAL AND COST-EFFECTIVE SOLUTION TO
PROVIDE 100% SECURITY OF YOUR TERRITORY*

Semi-automatic bollards are convenient and reliable solution for territory protection in case there is no possibility to provide electricity for full-automatic bollards. Semi-automatic bollards have gas spring that can be locked in lower position and rise rapidly in case of unlocking.

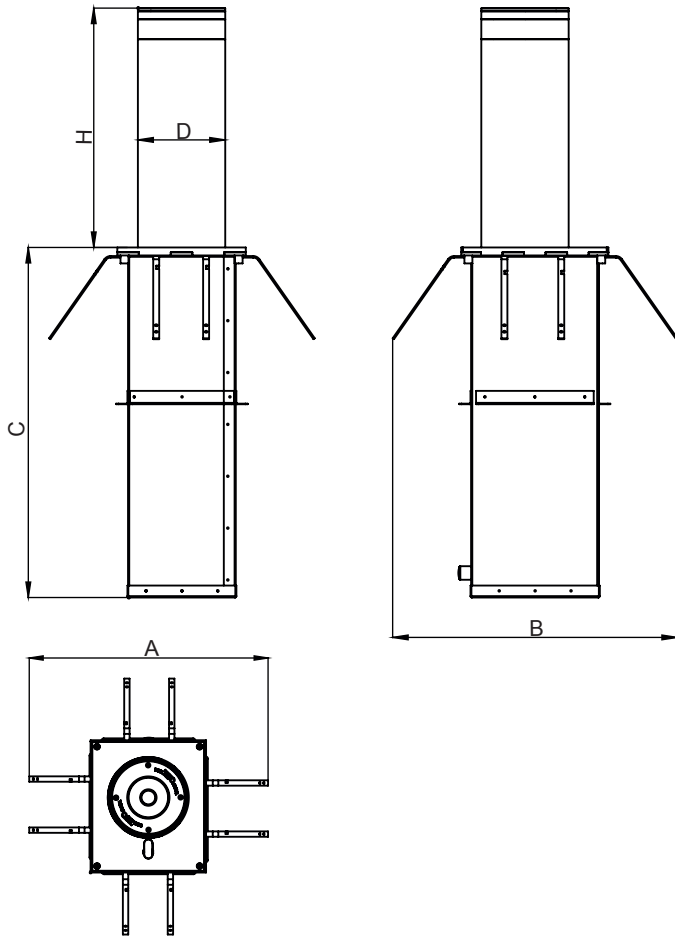
Main advantage of these bollards is that there is no need in electricity. They are fully autonomous, but require participation of the staff for driveway opening. This bollard should be pushed down to lower position and locked.

Installation areas

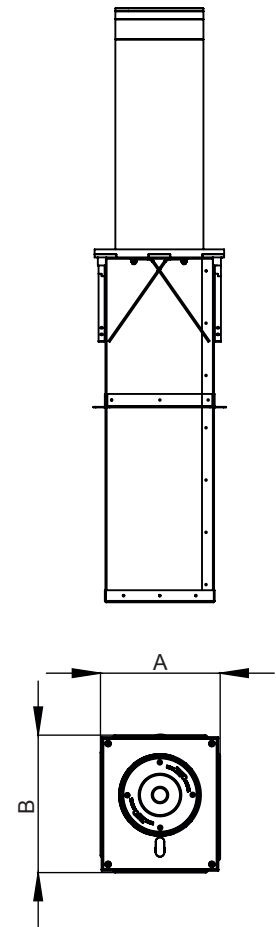
- Governmental Institutions
- Military Bases
- Nuclear Power Plants
- Production sites (Industrial Plants)
- Commercial areas
- Financial institutions
- Airport Premises
- Business (Office) Center
- Hotels
- Sport Complexes
- Recreation areas
- Urban areas
- Education Institutions



Dimensions with raised foundation anchors



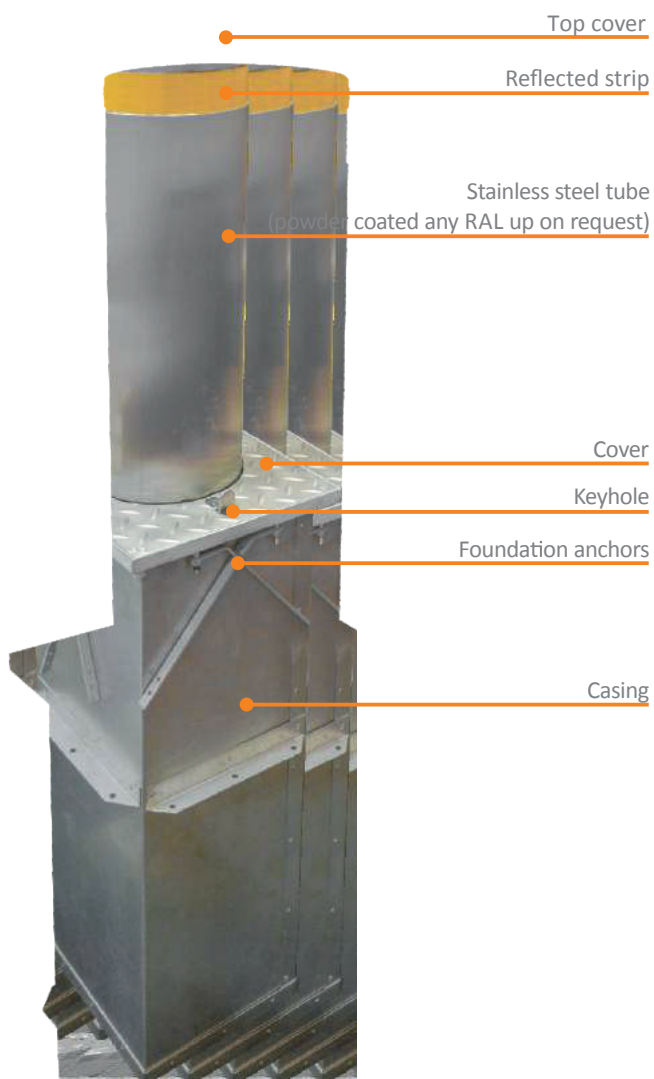
Dimensions with lowered foundation anchors



TECHNICAL SPECS:

Model	RB343-51	RB343-60	RB343-61	RB343-54	RB343-63	RB343-64
Drive	Gas-spring (gas-lift)					
Cylinder diameter (C), mm	114	220	273	114	220	273
Lift height (H), mm	600			800		
Moving cylinder thickness, mm	4					
Foundation case dimensions (AxBxC), mm						
• raised foundation anchors	670x710x880		720x770x880		670x710x1080	
• lowered foundation anchors	330x370x880		390x430x880		330x370x880	
Impact resistance, J	3000	6000	9000	3000	6000	9000
Axle load, t	10					
Rising time, s	~4					
Operating temperatures, ° C	-35 /+50					
Moving cylinder materials	Brushed stainless steel AISI 304 Glvanized and powder coated tube (any RAL upon request)					





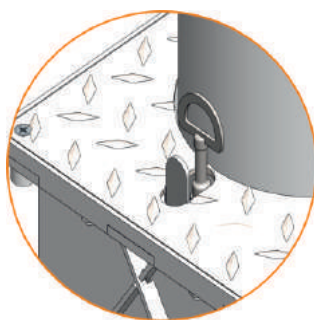
Standard kit

- Reflective tape
- Key
- Bollard in assembly
- Installation casing

Options

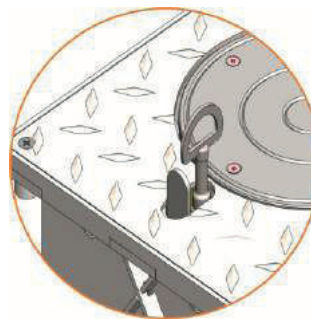
- LED indication
- Sound signal
- Any RAL color
- Additional keys
- Traffic lights

Opening of access



1. Turn the key to unlock.
2. Push the bollard with a foot to retract it in the casing and automatically lock in the down position.

Closing of access



1. Turn the key to back.
2. The bollard raises and automatically lock in the up position.

