

SEMI-AUTOMATIC PARKING BOLLARDS AUJA-343 drill drive



*RELIABLE AND COST-EFFECTIVE SOLUTION TO
PROVIDE 100% SECURITY OF YOUR TERRITORY*

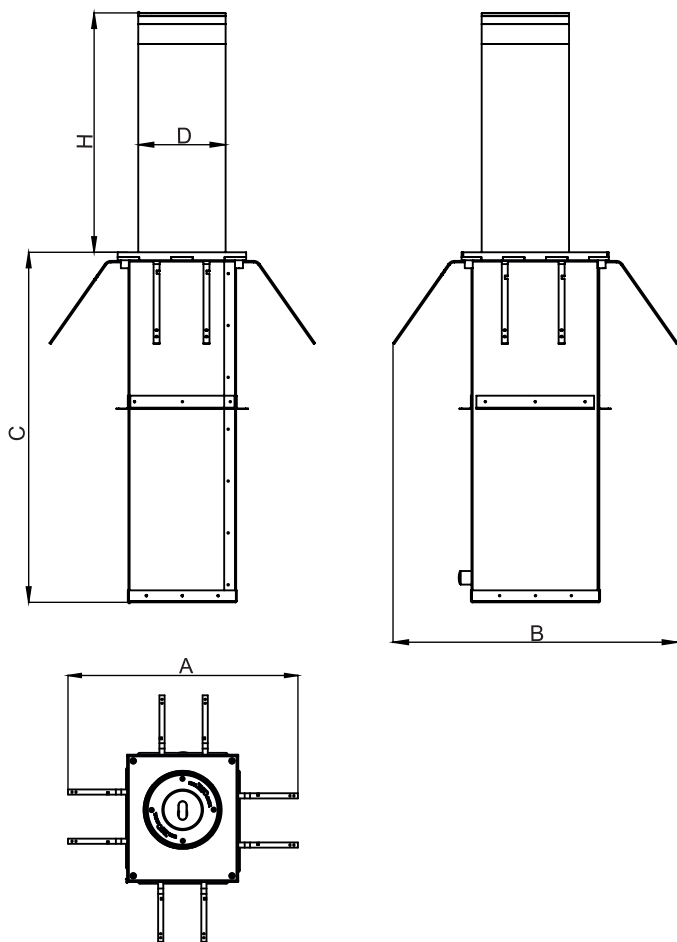
Drill drive bollards intend to fit installations without power supply availability. The operation principle is determined by the drill impact, which gets the blocking segment up or down according to screw direction. This solution is intended to manage traffic of low intensity and is featured with outstanding lifetime, due to lack of consumables in its operation and design concept. The range is classified according to tube's material, diameter, and rising height of blocking segment.

Installation areas

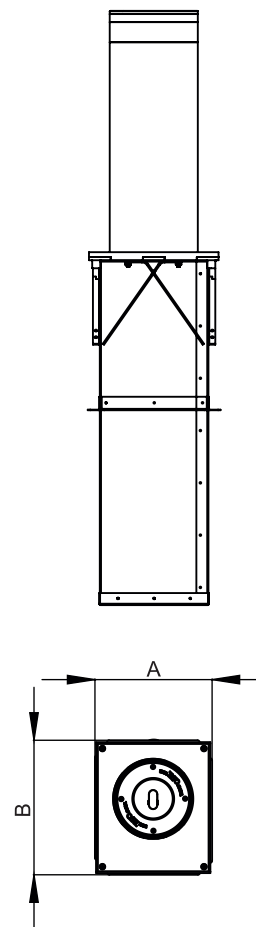
- Governmental Institutions
- Military Bases
- Nuclear Power Plants
- Production sites (Industrial Plants)
- Commercial areas
- Financial institutions
- Airport Premises
- Business (Office) Center
- Hotels
- Sport Complexes
- Recreation areas
- Urban areas
- Education Institutions



Dimensions with raised foundation anchors



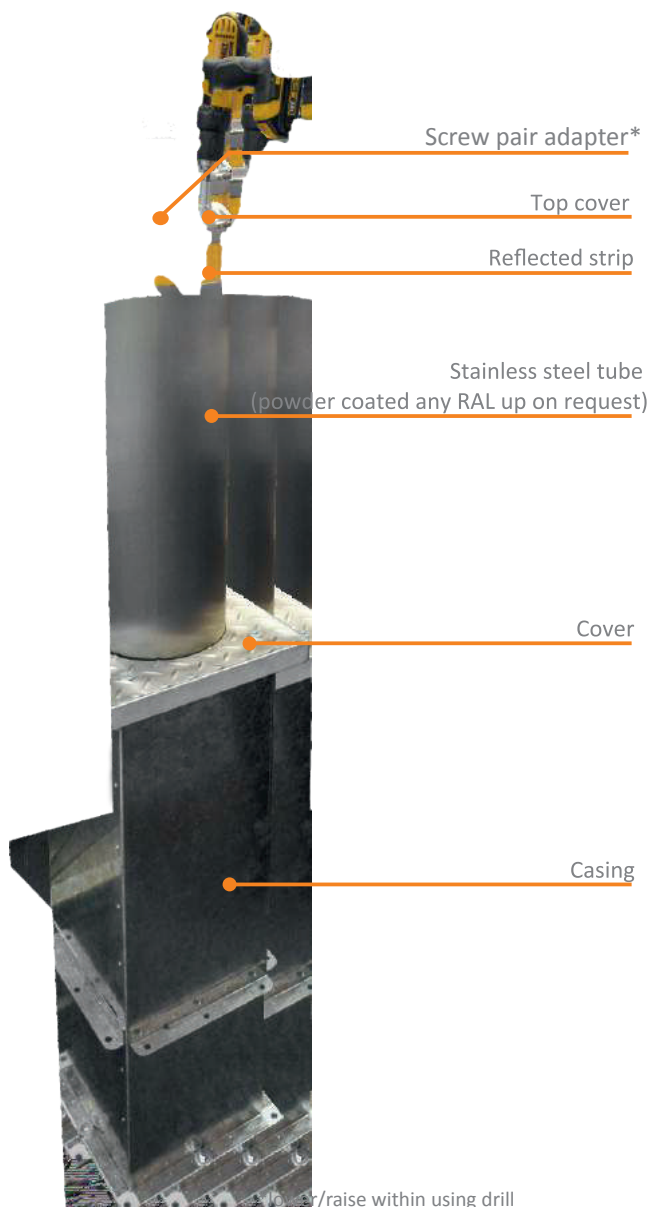
Dimensions with lowered foundation anchors



TECHNICAL SPECS:

Model	RB343-03	RB343-01	RB343-02	RB343-06	RB343-04	RB343-05
Drive	Screw pair					
Cylinder diameter (D), mm	114	220	273	114	220	273
Lift height (H), mm	600			800		
Moving cylinder thickness, mm	4					
Foundation case dimensions (AxBxC), mm						
• raised foundation anchors	670x710x880		720x770x880		670x710x1080	720x770x1080
• lowered foundation anchors	330x370x880		390x430x880		330x370x1080	390x430x1080
Protection level	IP 67 for Bollard					
Rising time, s	~4					
Operating temperatures, °C	-35 /+50					
Moving cylinder materials	Brushed stainless steel AISI 304 Glavanized and powder coated tube (any RAL upon request)					





lower/raise within using drill

Standard kit

- Reflective tape
- Drill adapter
- Bollard in assembly
- Installation casing

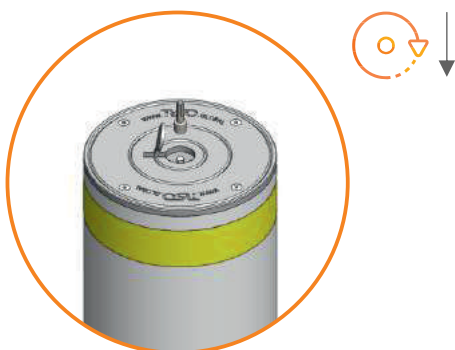


Options

- LED indication
- Sound signal
- Any RAL color
- Additional keys
- Traffic lights
- Anti-vandal screws

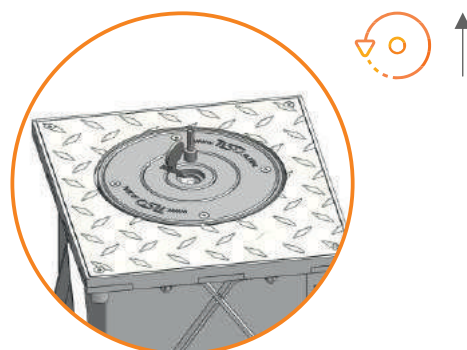


Opening of access



Turn the drill adapter clockwise to lowered the bollard

Closing of access



Turn the drill adapter contraclockwise to raised the bollard

