

ROTOR TURNSTILE

STAR-TS

The turnstile «Star-TS» is a practical solution for any access point. This rotor turnstile will be reliable in operation even in the most crowded sites with high traffic intensity.

Fences made of stainless tube is perfect for any interior.



STYLISH TURNSTILE WILL SUIT FOR ANYONE'S TASTE

AND BE A GOOD PRACTICAL SOLUTION FOR ANY OFFICE

Controlled by:

- access control system;
- manual control

When power goes OFF both directions are free.

To be delivered additionally:

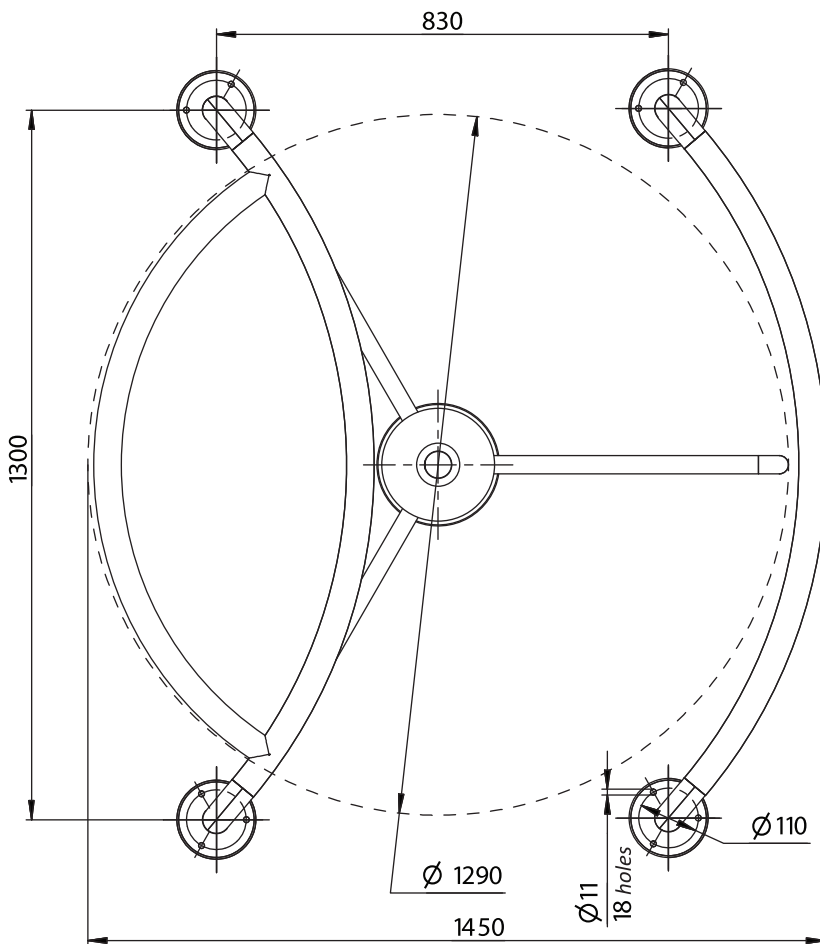
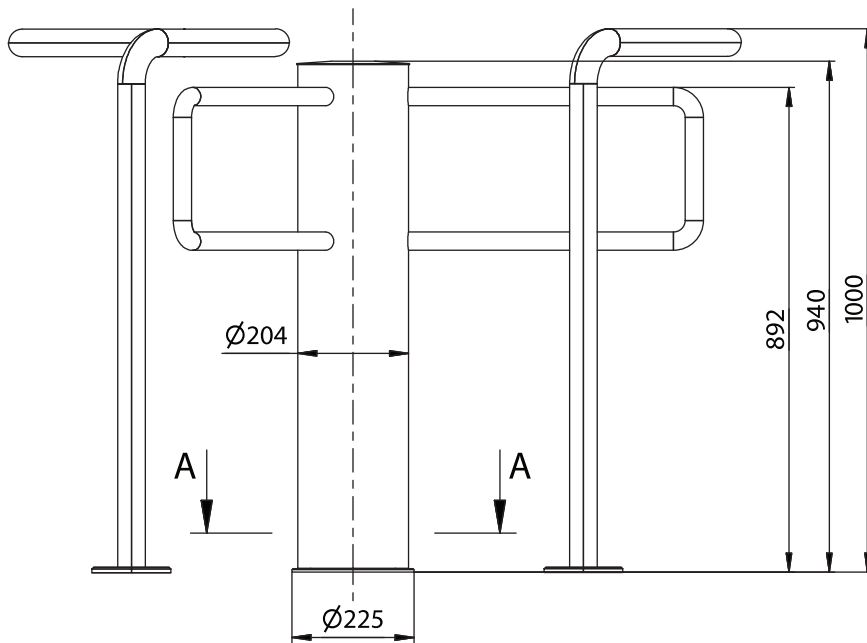
- reader posts;
- readers for access control system;
- remote radio controller;
- backup battery 12 V, 7 A•h

Electrical Specifications:

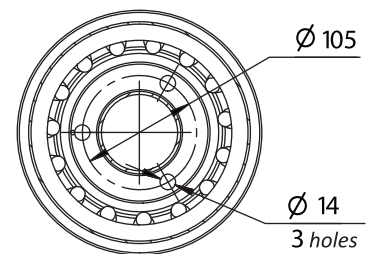
- Voltage:
 - from the AC (100-240)V, 50/60Hz;
 - from a DC source 12 V
- Maximum power consumption 50 W per pass;
- Degree of protection according to GOST 14254-96 - IP41

Technical Specifications:

Length	1450 mm
Width	1300 mm
Height	1000 mm
Weight, not more	90 kg



A-A (1:5)





CartPoland, Maciej Twardowski
Wólka Mińska ul. Olszowa 5,
05 - 300 Mińsk Mazowiecki

maciej@cartpoland.pl, Tel.: +48 606 773 276
inka@cartpoland.pl, Tel.: +48 795 15 83 20
www.cartpoland.pl | bramkiobrotowe.eu