

Expert

Expert turnstile is an ideal solution for providing access control at small lodges of enterprises, offices, banks, where small size, design reliability and efficiency are equally important. Expert turnstile is intended for two-directional access control.



Tripod turnstile

type of turnstile, where the obstruction is a tripod bar



Reasonable price

budget model of the turnstile, which performs the basic functions

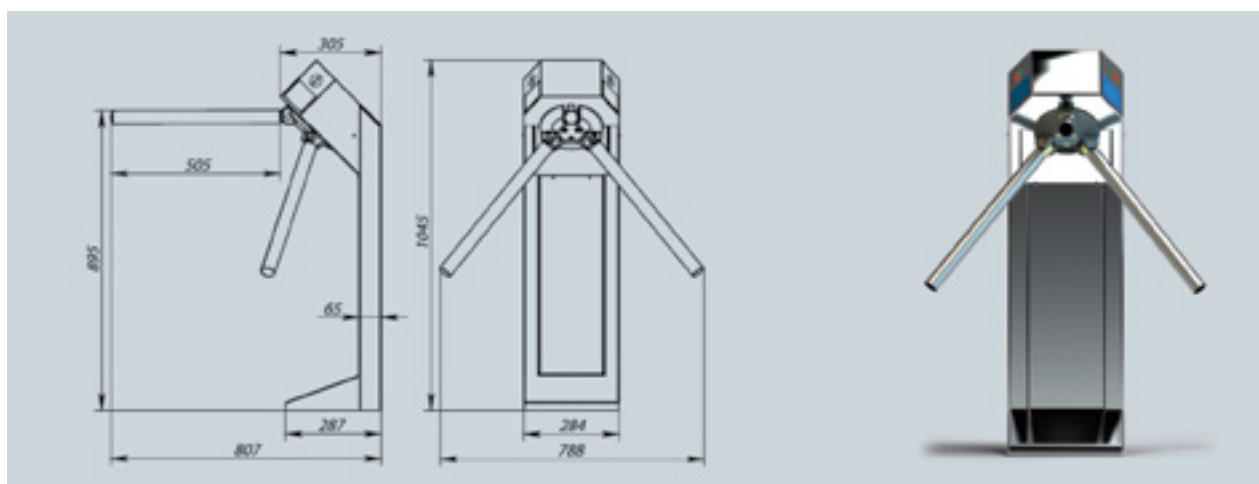


Anti-panic

feature that allows opening or locking the turnstile for passage in case of emergency

Features:

- This model can be equipped either with electronically-driven mechanism for smooth and noiseless passage or with rotating blocking mechanism that allows using the turnstile outdoors at all weather conditions.
- The turnstile provides one by one passage at every signal allowing the pass through.
- Antipanic function allows opening a passageway in case of emergency.
- Turnstile is operated by external control panel or external controller.



Design versions:

Casing:	polished stainless steel
	brushed stainless steel
	painted steel
Tripod bars:	aluminum
	polished stainless steel
Gear:	electric drive
	rotating-locking

Overall dimensions: (mm):

Case height	1045
Case length	284
Case width	305
Passage width	550-600
Weight	29 kg

Specifications:

Supply voltage	24 ± 3 V
Power consumption	max 30 W
Capacity	at least 20 persons/min
Working temperatures	0...+45°C
Dust and Water Protection Rating	IP 42